

THIS DRAWING IS UNPUBLISHED.

RELEASED FOR PUBLICATION

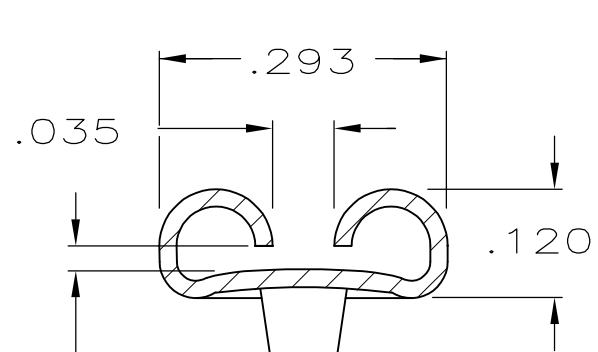
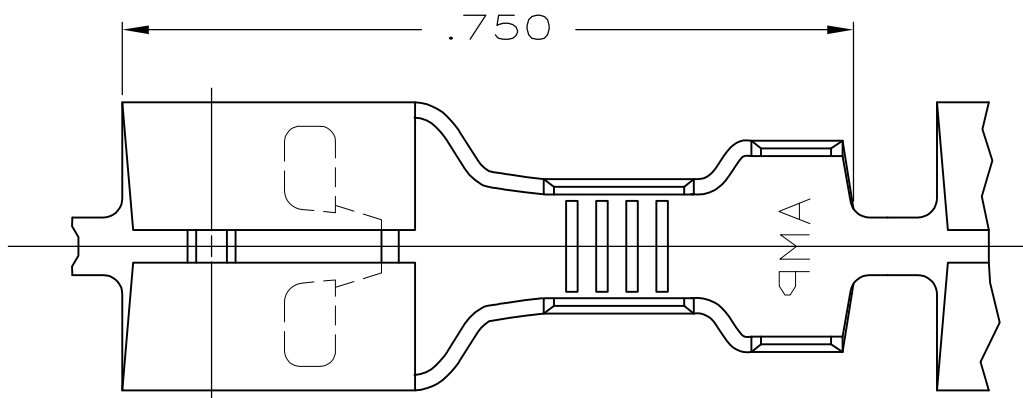
ALL RIGHTS RESERVED.

© COPYRIGHT - By -

LOC AF DIST 50

REVISIONS

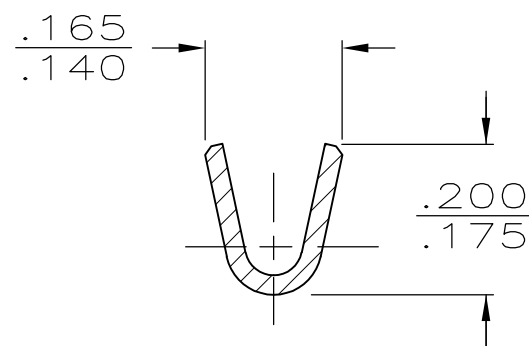
P	LTR	DESCRIPTION	DATE	DWN	APVD
	L	REVISED PER ECR-13-005733	23AUG2013	KH	PD



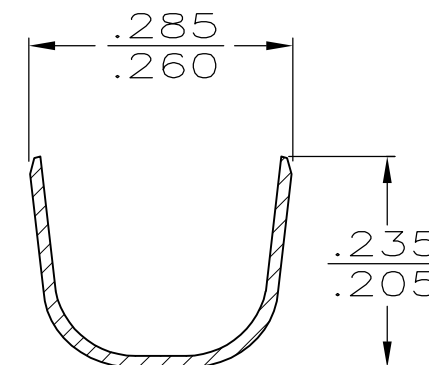
FITS '.250' SERIES FASTIN-FASTON TAB

SECTION A-A

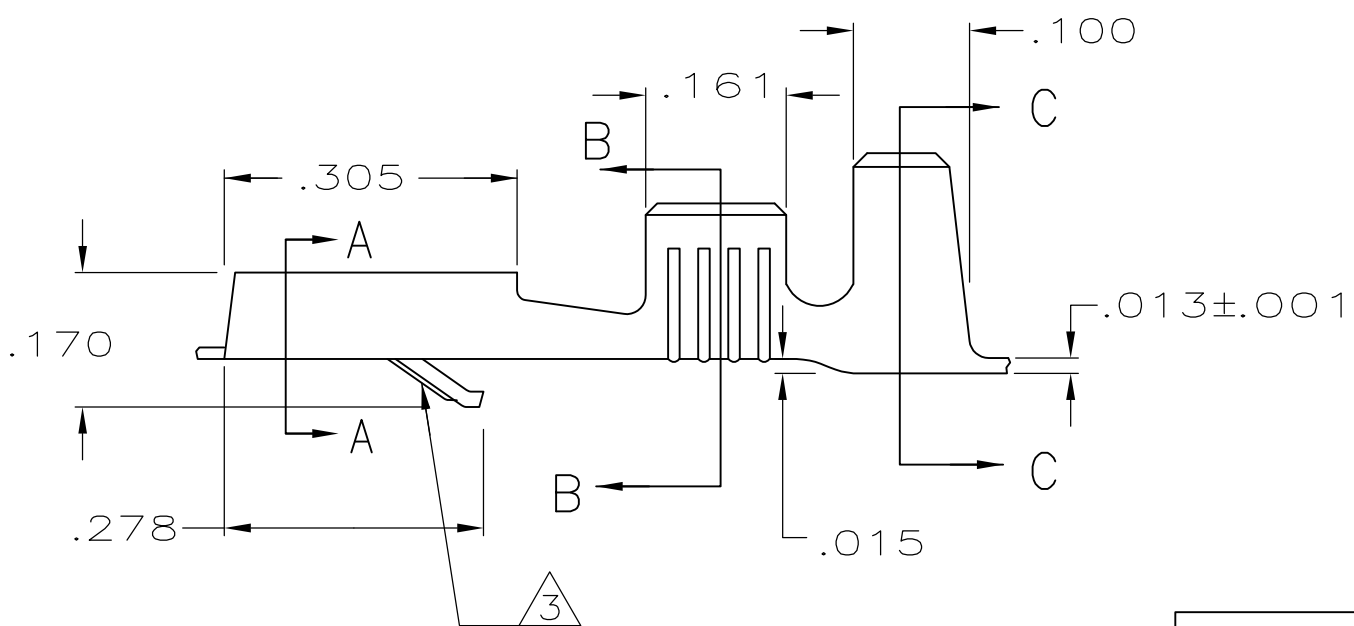
- △ 1 FOREIGN PRODUCTION ONLY
- 2 CONTINUOUS STRIP ON REELS
- △ 3 RIB ON 1-60253-2 ONLY.



SECTION B-B



SECTION C-C



OBSOLETE				TIN PL .000080 MIN	△ 1 1-60253-2 △ 3
OBSOLETE			.160-.210 OR	SILVER .000150 MIN	60253-3
	16-12	.032 (2)	-.130 MAX	TIN	60253-2
				NONE	60253-1 △ 1
	WIRE SIZE	TAB THK ±.001	INSUL. RANGE	FINISH	PART NO

THIS DRAWING IS A CONTROLLED DOCUMENT.		DWN DK SCHRUM 4/10/89	<b>STE</b> TE Connectivity		
DIMENSIONS: INCHES		CHK JR RUTH 4/17/89			
TOLERANCES UNLESS OTHERWISE SPECIFIED:		APVD J GILLESPIE 5/19/89	NAME RECEPTACLE, FASTIN-FASTON, .250 SERIES		
0 PLC ± -		PRODUCT SPEC	SIZE CAGE CODE DRAWING NO RESTRICTED TO		
1 PLC ± -		APPLICATION SPEC	A3 00779 C-60253		
2 PLC ± -		WEIGHT -	SCALE 5:1 SHEET 1 OF 1 REV L		
3 PLC ± .015					
4 PLC ± -					
ANGLES ± -					
MATERIAL BRASS	FINISH SEE TABLE				
		CUSTOMER DRAWING			